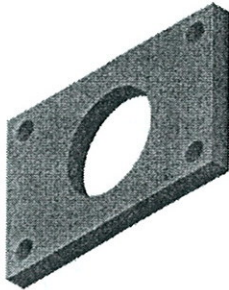
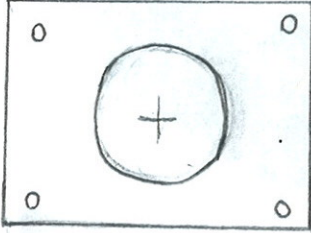
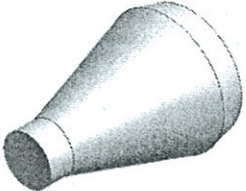
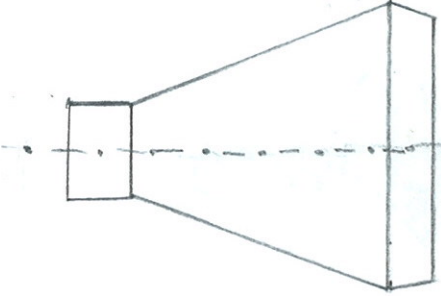
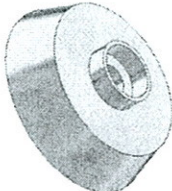

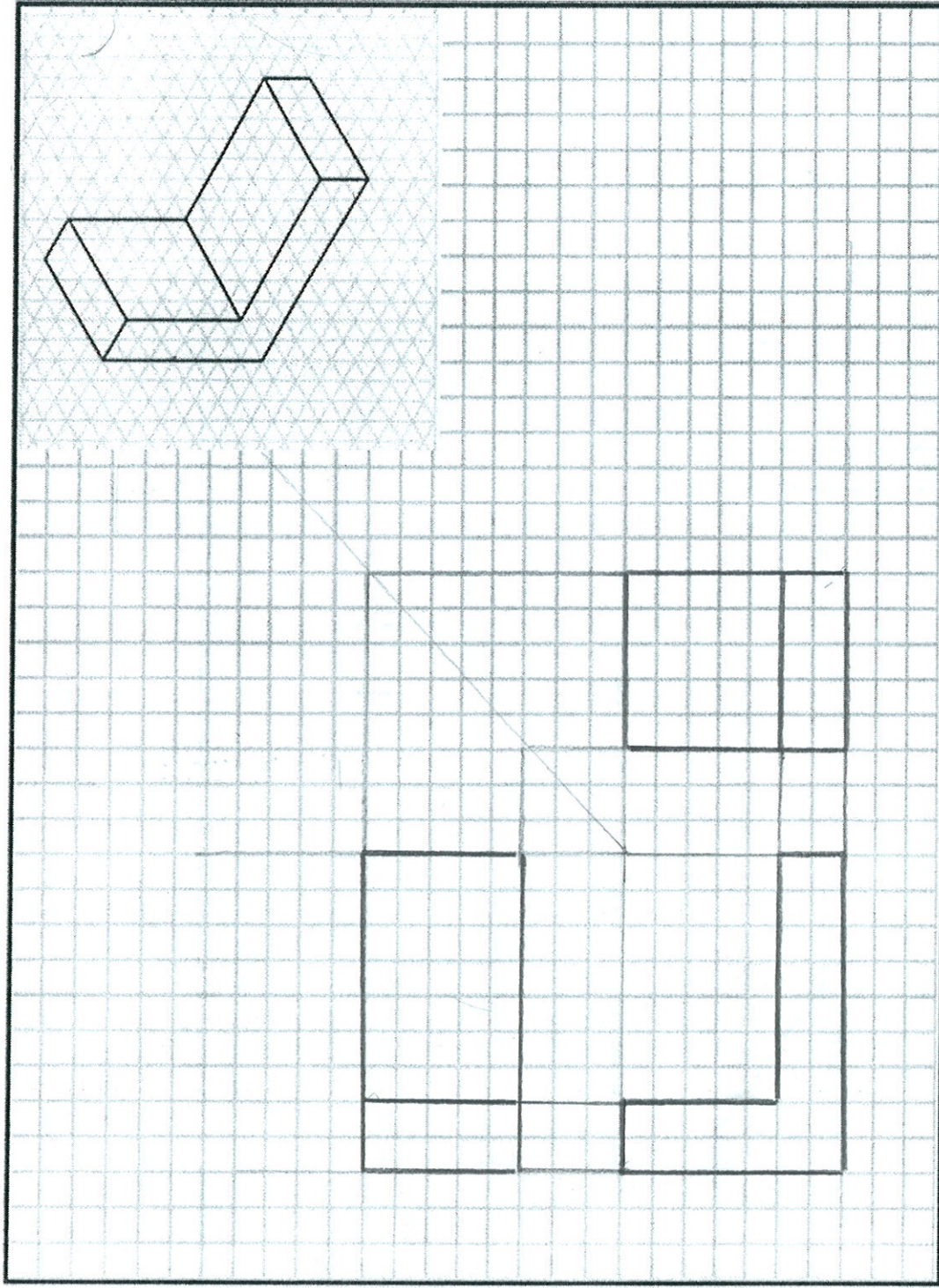


Object	Front View Sketch
	
<p>Minimum Number of views: <i>one</i></p>	<p>Additional Orthographic Views to include: <i>depth center line</i></p>
	
<p>Minimum Number of views: <i>one</i></p>	<p>Additional Orthographic Views to include: <i>diameter center line</i></p>
	
<p>Minimum Number of views: <i>two</i></p>	<p>Additional Orthographic Views to include: <i>diameter center line</i></p>

Nice

Study the isometric views in the next four pages. Use points, hidden lines, construction lines, and object lines to sketch the three common views used to explain the object. The scale is 1:1, which means that each grid line on the isometric view represents a grid line on the orthographic grid. **DO NOT ERASE YOUR POINTS AND CONSTRUCTION LINES.**

3.



4.

